

**RYOBI**  
**Pressure Washer**  
**Item Nos. RY1418MT, RY1419MT, RY1419MTVNM**  
**Mfg. Nos. 090079411, 090079485, 095079448**  
**Replacement Parts List**

**TECHTRONIC INDUSTRIES POWER EQUIPMENT**

P.O. Box 1288, Anderson, SC 29622

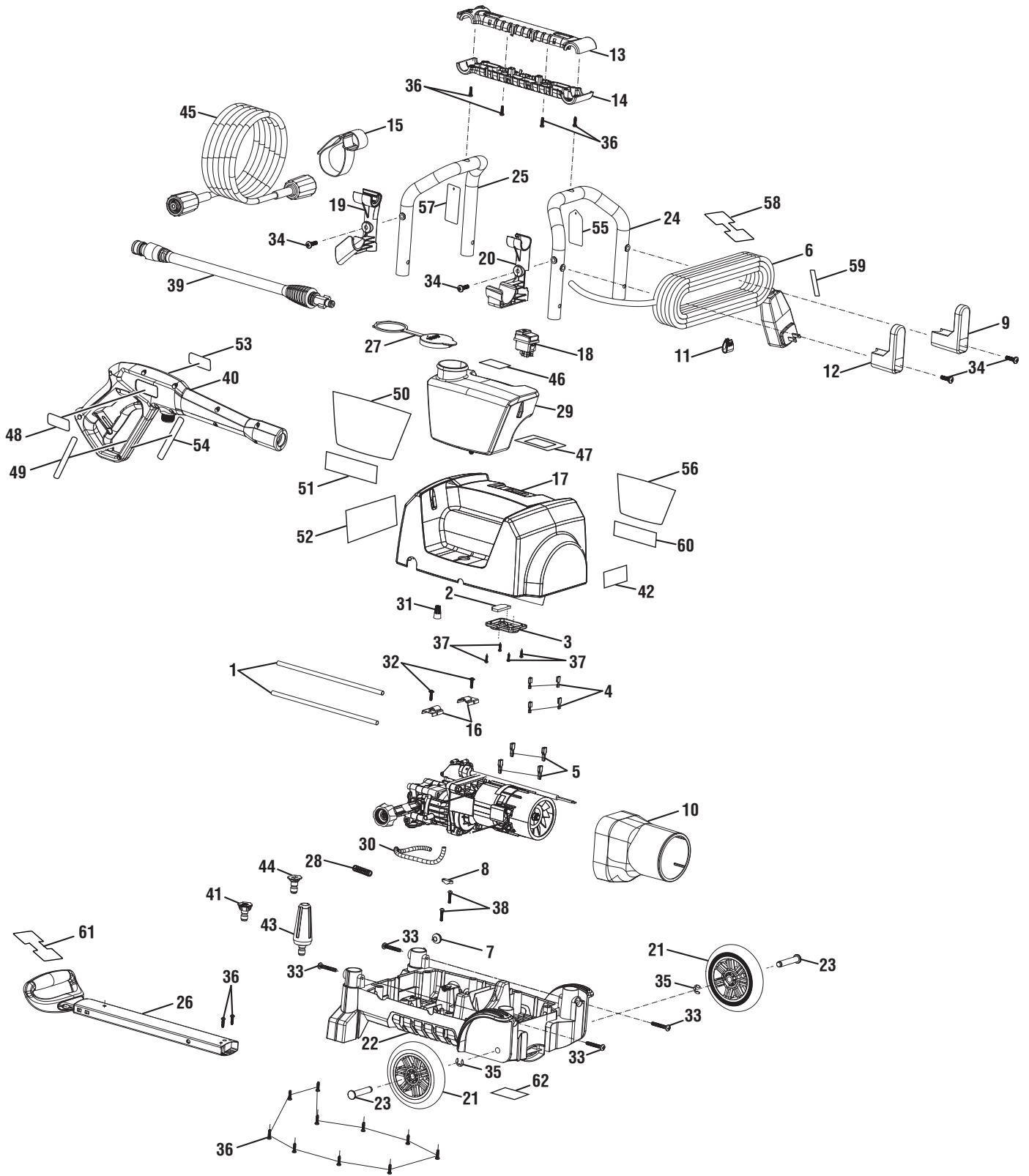
Phone 1-800-860-4050

[www.ryobitools.com](http://www.ryobitools.com)

995000998

6-22-20 (Rev:02)

RYOBI PRESSURE WASHER - ITEM NOS. RY1418MT, RY1419MT, RY1419MTVNM



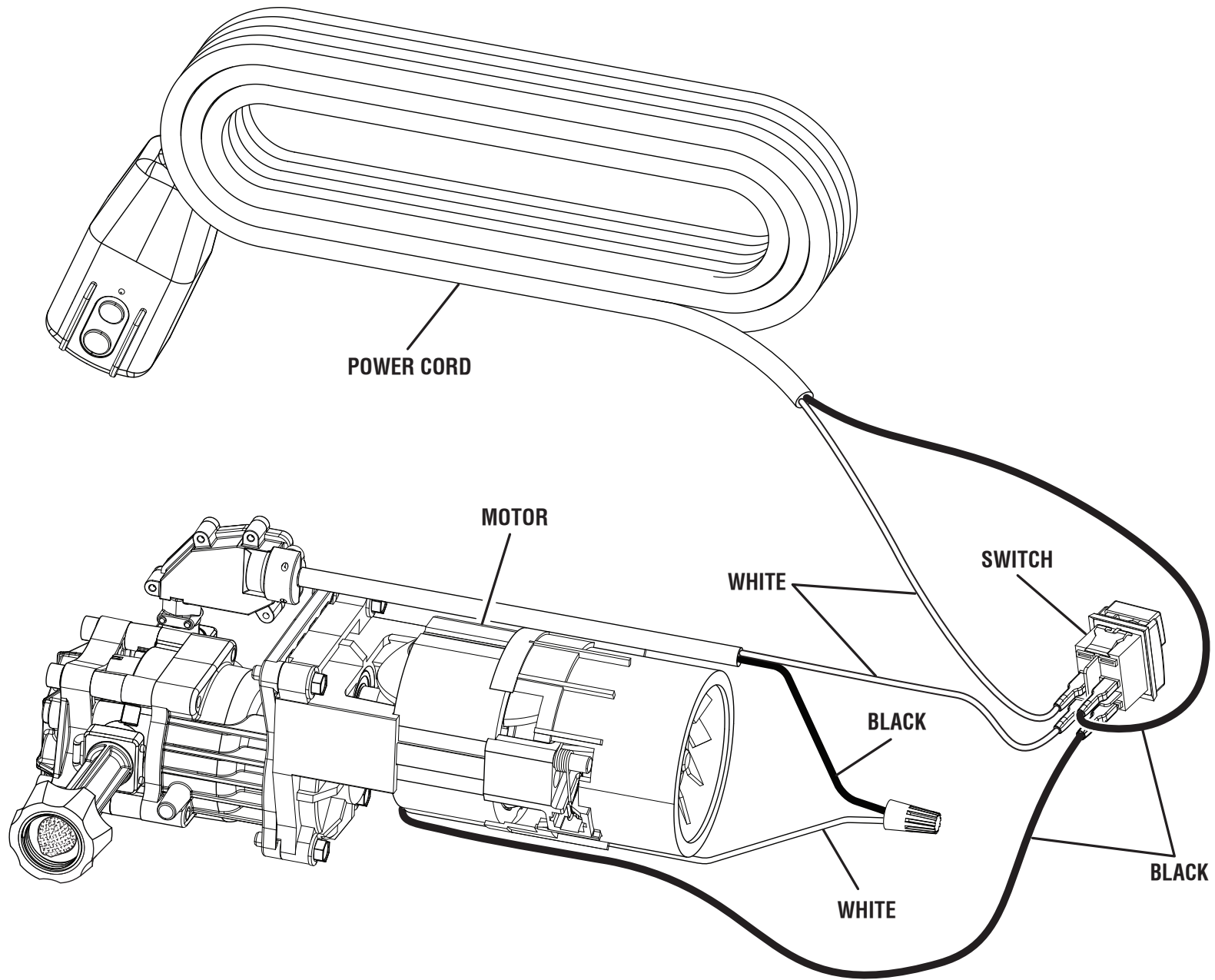
## RYOBI PRESSURE WASHER – ITEM NOS. RY1418MT, RY1419MT, RY1419MTVNM

The model number will be found on a plate attached to pump housing. Always mention the model number in all correspondence regarding your **PRESSURE WASHER** or when ordering replacement parts.

### PARTS LIST

KEY NO.	PART NUMBER	DESCRIPTION	QTY	KEY NO.	PART NUMBER	DESCRIPTION	QTY
1	570113003	Thermal Sleeve .....	2	36	661403016	Screw (M4.2 x 15 mm, Pan Hd.).....	16
2	980414038	Foam.....	1	37	661403015	Screw (M2.9 x 14 mm, Pan Hd.).....	4
3	536489001	Switch Cover .....	1	38	661610008	Screw (M3.5 x 20, Pan Hd.).....	2
4	630236004	Terminal .....	4	39	308494075	Spray Wand .....	1
5	527784005	Sleeve Terminal.....	4	40	308760071	Trigger Handle .....	1
6	290426022	Power Cord w/GFCI Assembly.....	1	41	308698023	15° Nozzle (RY1418MT).....	1
7	561383025	Housing Grommet .....	1		308698032	15° Nozzle (RY1419MT, RY1419MTVNM) .....	1
8	522051003	Cord Clamp .....	1	42	941588287	Data Label (RY1418MT).....	1
9	522037006	Right Cord Wrap Holder .....	1		941588633	Data Label (RY1419MT).....	1
10	522038007	Air Guide for Brush Motor .....	1		941588529	Data Label (RY1419MTVNM).....	1
11	528499001	Cord Clip .....	1	43	308311032	Turbo Nozzle.....	1
12	522037005	Left Cord Wrap Holder .....	1	44	308706013	Soap Nozzle .....	1
13	527648008	Upper Handle .....	1	45	308835065	Hose (25 ft.) .....	1
14	527648009	Lower Handle .....	1	46	941608005	Soap Label .....	1
15	310801007	Hook-and-Loop Strap .....	1	47	940698033	On/Off Label .....	1
16	636204001	Motor Clamp Plate .....	2	48	940786053	Trigger Logo Label.....	1
17	522032009	Upper Housing .....	1	49	940324024	Trigger Handle Warning Label (FR/SP)..	1
18	760504007	Main Switch .....	1	50	940851382	Quick Start Label.....	1
19	519313027	Left Trigger Handle Holder .....	1	51	941486008	Inquiries Label .....	1
20	519313026	Right Trigger Handle Holder .....	1	52	940707038	Danger Icon Label .....	1
21	308451077	Wheel.....	2	53	940324040	Trigger Handle Warning Label .....	1
22	522038038	Lower Housing .....	1	54	940904013	Trigger Handle Data Label .....	1
23	620599041	Wheel Axle.....	2	55	961039007	Nozzle Hangtag .....	1
24	310703032	Left Frame .....	1	56	941588289	Logo Label.....	1
25	310703033	Right Frame .....	1	57	940473008	Warning/Notice Hangtag .....	1
26	308790085	Retractable Handle Assembly .....	1	58	940324013	Cord Wrap Label .....	1
27	310650004	Soap Tank Cap .....	1	59	940603006	Cord Plug Label.....	1
28	678857020	Compression Spring.....	1	60	941588288	Performance Label (RY1418MT).....	1
29	310658012	Soap Tank.....	1	60	941851374	Performance Label (RY1419MT, RY1419MTVNM).....	1
30	561399013	Soap Tank Hose .....	1	61	940758016	Handle Release Button Label.....	1
31	870601001	Wire Nut.....	1	62	941588290	Vertical Storage Label.....	1
32	661403014	Screw (M4.2 x 16 mm, Pan Washer Hd.).....	2			<b>Not Shown:</b>	
33	660590004	Screw (M5.5 x 35 mm, Pan Hd.).....	4		995000996	Operator's Manual	
34	660481019	Bolt (M6 x 20 mm, Pan Hd.) .....	4		995000997	Quick Reference Guide	
35	678895011	E-Clip Retaining Ring .....	2				

**NOTE A:** Techtronic Industries Power Equipment, Inc. will not provide a complete motor/pump as a replacement part. Contact our service department for assistance.



WIRING DIAGRAM